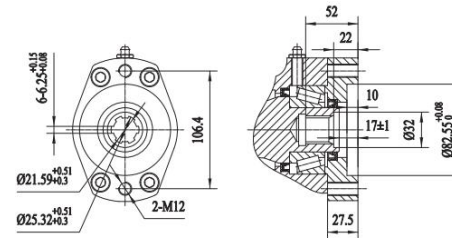
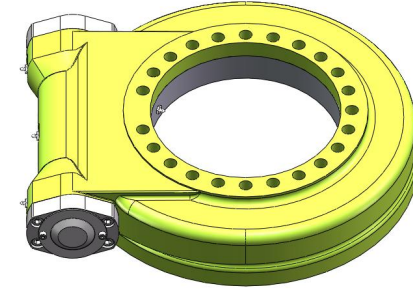
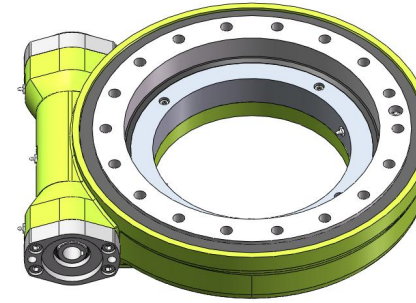
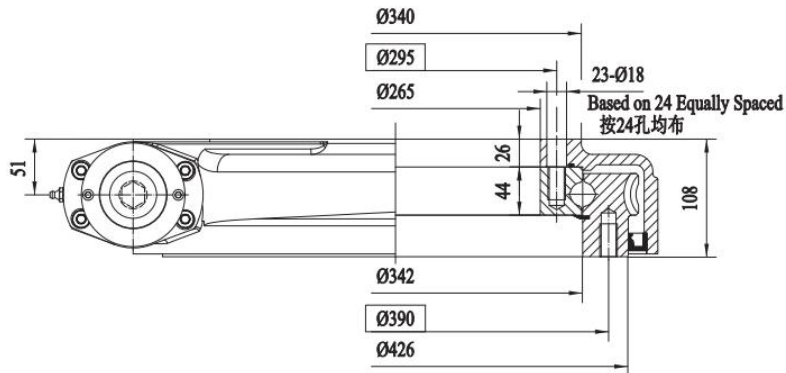
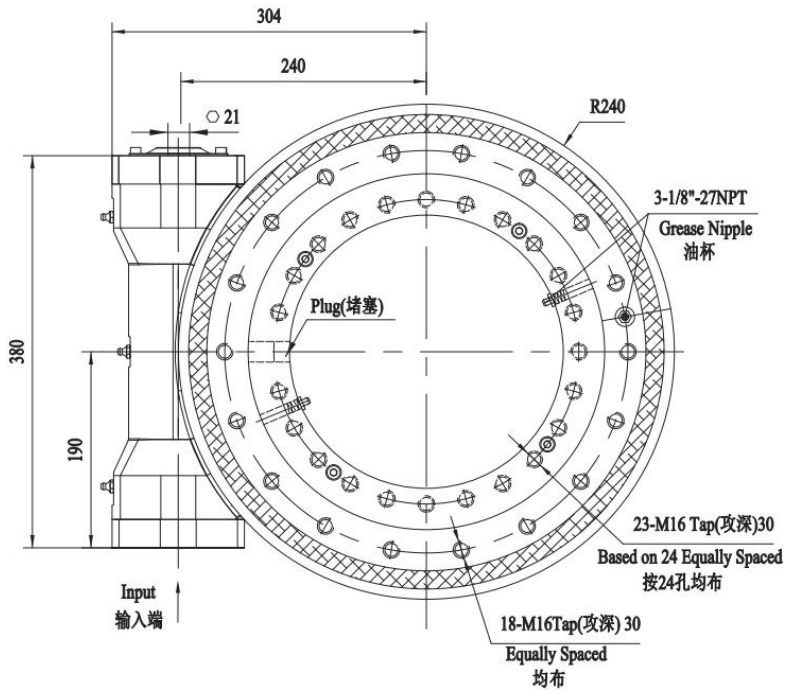
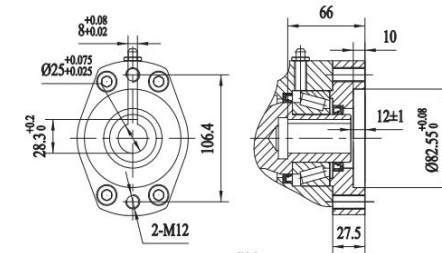


## WEA14



6B Spline 花键



Ø25

项目/Item	数值	单位
WEA14	Value	Unit
输出转矩/Output Torque	10.8	kN.m
倾覆力矩/Tilting Moment Torque	71.2	kN.m
保持力矩/Holding Torque	48	kN.m
轴向静载荷/Static Axial Rating	960	kN
径向静载荷/Static Radial Rating	360	kN
轴向动载荷/Dynamic Axial Rating	230	kN
径向动载荷/Dynamic Radial Rating	200	kN
减速比/Gear Ratio	86:1	—
精度等级/Tracking Precision	≤0.13	°
重量/Weight	75	kg

载荷曲线图/MOMENT LOAD CHART

